

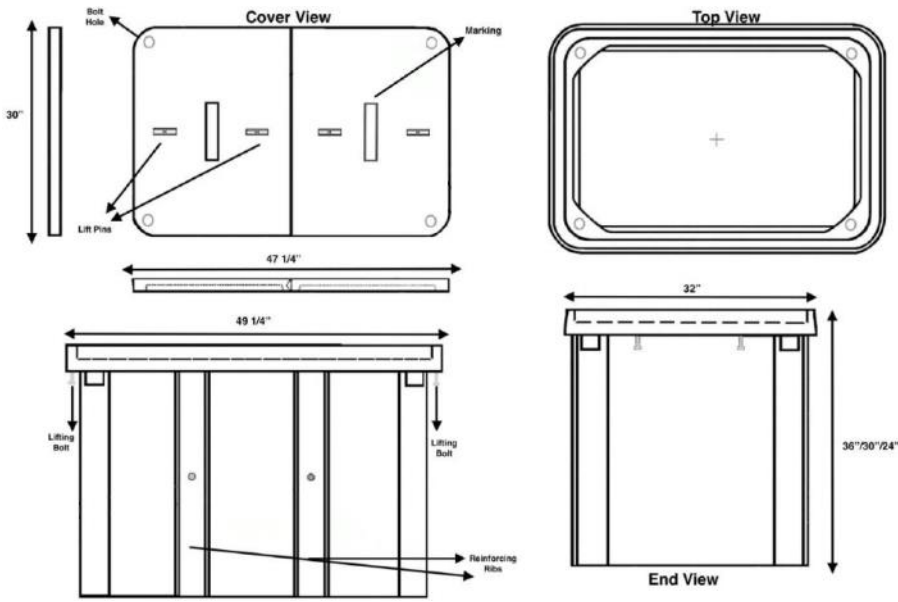
- ▶ Hand Holes from ODEM are designed to provide maximum strength and durability. Lighter than traditional concrete, they are easy to install and provide superior strength and longevity.
- ▶ Hand Holes are Straight Wall Design, Polymer Concrete.
- ▶ Tier 22 Rated Lids. 2-Piece on the 30x48 Size.
- ▶ Made in the USA
- ▶ Ground Bars Are Available For Locate Wires.

Ordering Information:

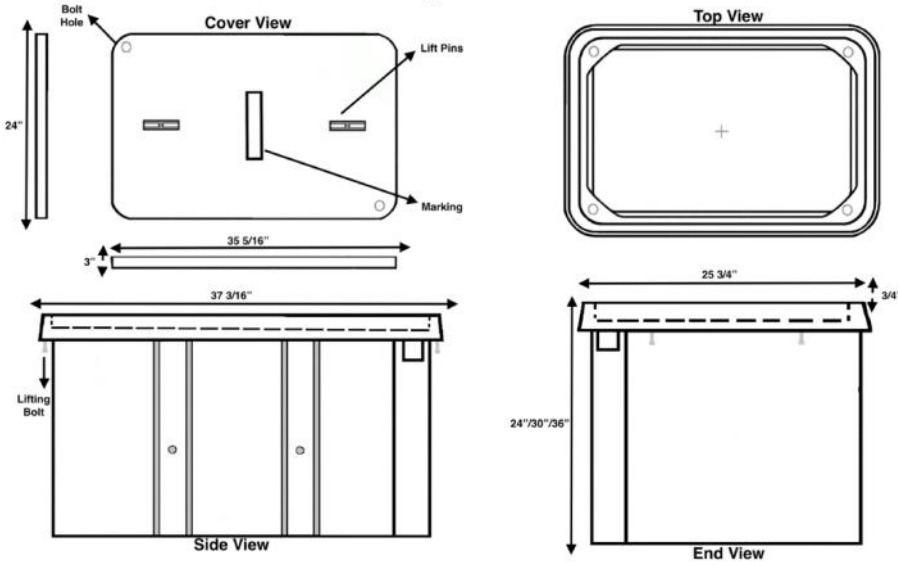
P/N OD173024T22PC	Polymer Concrete Hand Hole with Lid (17"W x 30"L x 24"H)
P/N OD243624T22PC	Polymer Concrete Hand Hole with Lid (24"W x 36"L x 24"H)
P/N OD304836T22PC	Polymer Concrete Hand Hole with Lid (30"W x 48"L x 36"H)
P/N GNDTB6	6 Position Ground Bar with 2 Mounting Holes
P/N GNDTB12	12 Position Ground Bar with 2 Mounting Holes



OD-304836T22PC



OD-243624T22PC



OD-173024T22PC

